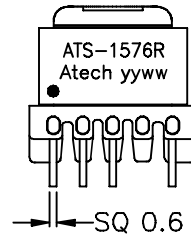
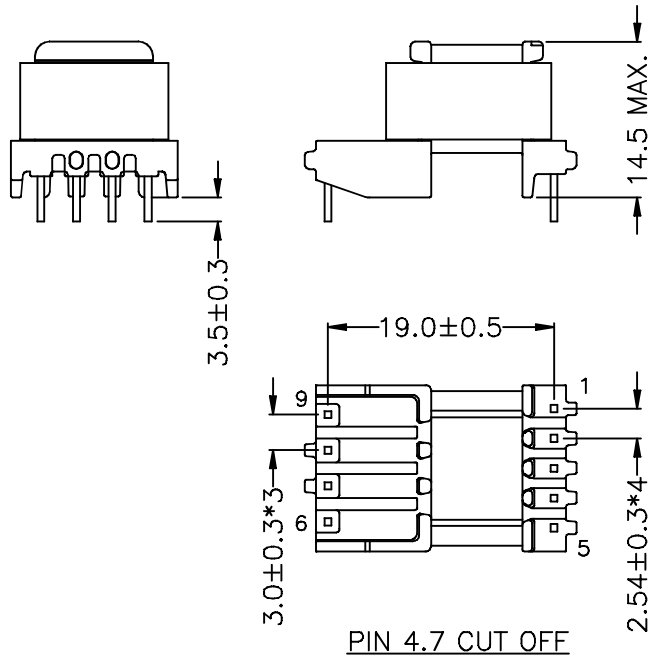
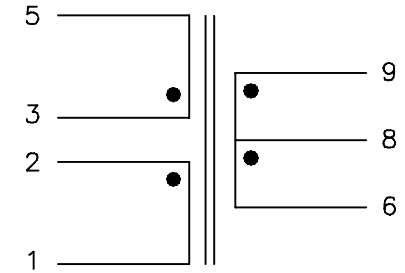


RECOMMENDED LAND PATTERN



ELECTRICAL CHARACTERISTICS :

1. DCR : PIN 1-2 = 260mΩ Max
 PIN 3-5 = 1.3Ω Max
 PIN 6-8 = 35mΩ Max
 PIN 8-9 = 285mΩ Max
2. INDUCTANCE (@10kHz, 0.1Vrms) : PIN 3-5 = 727uH ±10%
3. LEAKAGE INDUCTANCE (@100kHz, 0.1Vrms)
 PIN 3-5 (PIN 1-2, 6-8-9 SHORT) = 36uH MAX.
4. TURN RATIO (@100kHz, 0.1Vrms):
 PIN 3-5 : PIN 2-1 = 3.9 ±2%
 PIN 3-5 : PIN 8-6 = 10.5 ±2%
 PIN 3-5 : PIN 9-8 = 4.8 ±2%
5. HI-POT (3750VAC, 2mA, 2SEC) PIN2.5 - PIN 9.8
6. RoHS Compliance

△ Note : 1. Made in YiChang Hubei
 2. Weight~5.4g

UNIT : mm

							TITLE FLYBACK TRANSFORMER	
							DWG. NO. ATS-1576R	
					UNITS:		SAFETY	
					NO: DESCRIPTION		DATE	
					DATE		P/N:	
					REVISIONS		DRAW	
					BY		SHEET 1 of 1	
					CHK		DRAW	
					APPD			